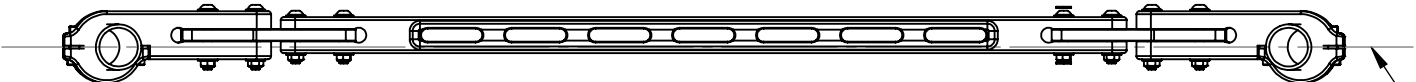
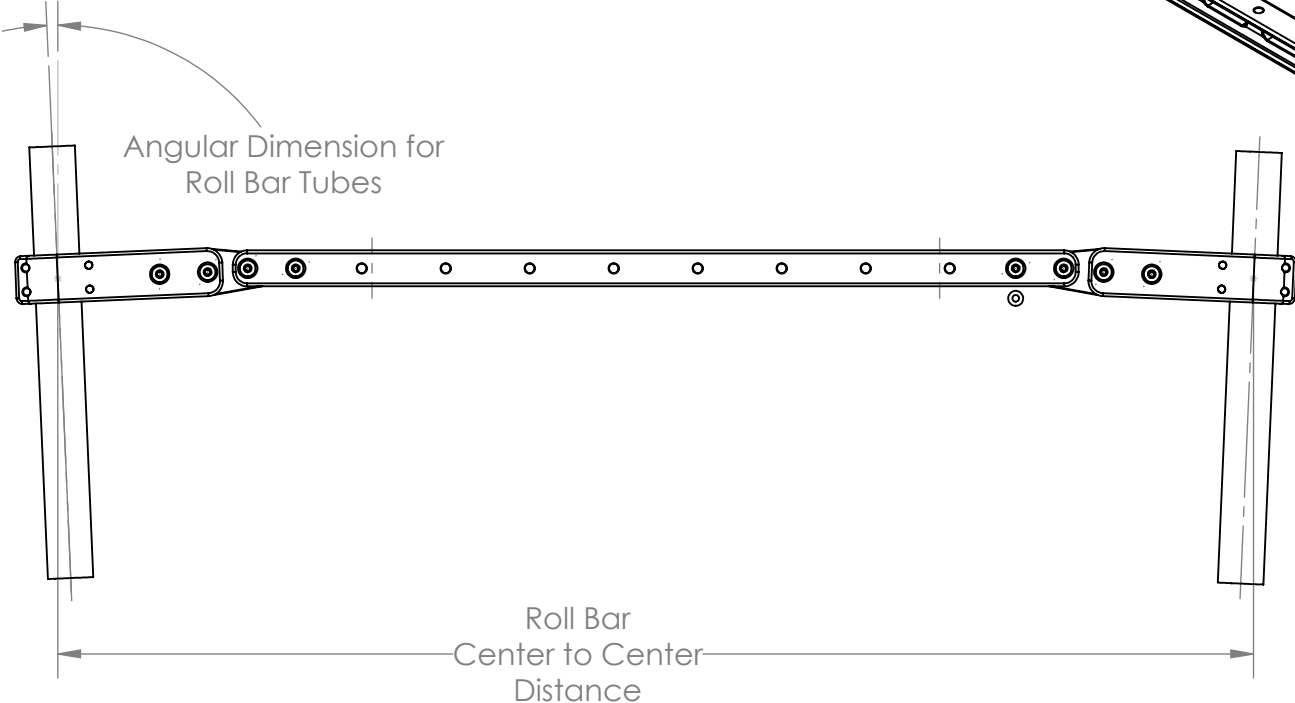
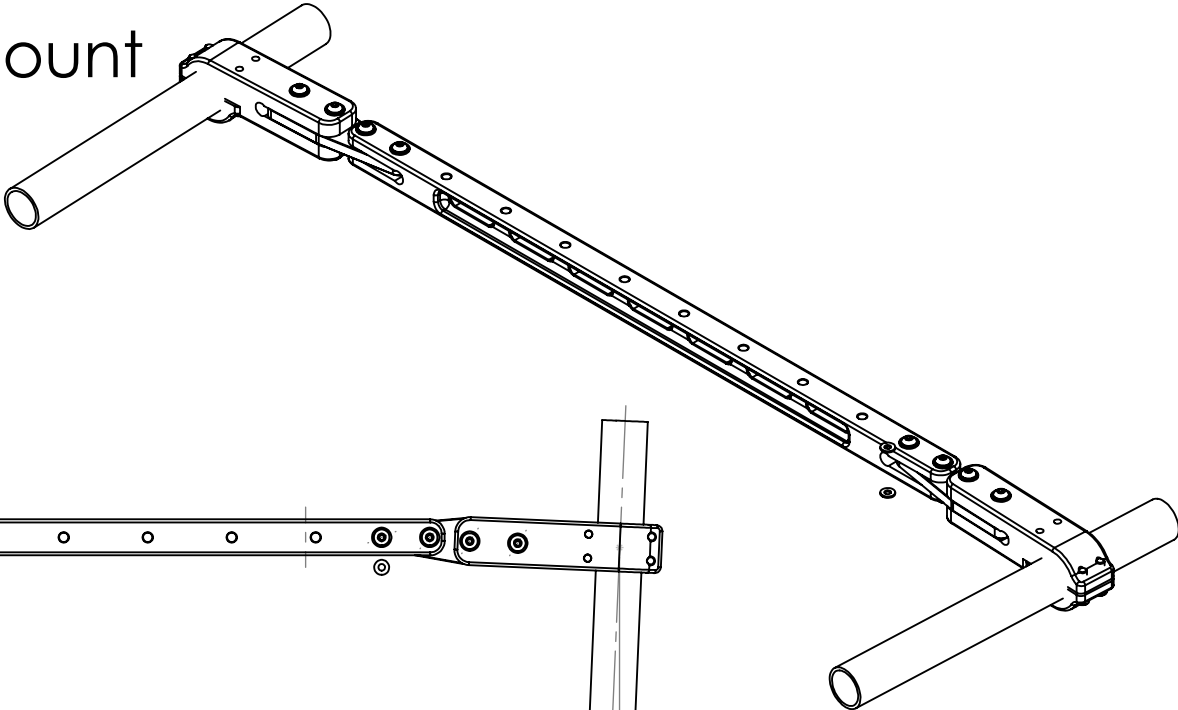


Sizing description for the Modular Roll Bar Rack Mount



Roll Bar Tubes must lie on the same plane.

Cross Bar Size	Roll Bar C to C Distances	
	Min	Max
47"	46.75	48.25
48"	47.75	49.25
49"	48.75	50.25
50"	49.75	51.25

Use the chart at the left for choosing the correctly sized cross bar. The cross bar connection plates have slots machined into them to accept differences in the center to center distance of the roll bars.