



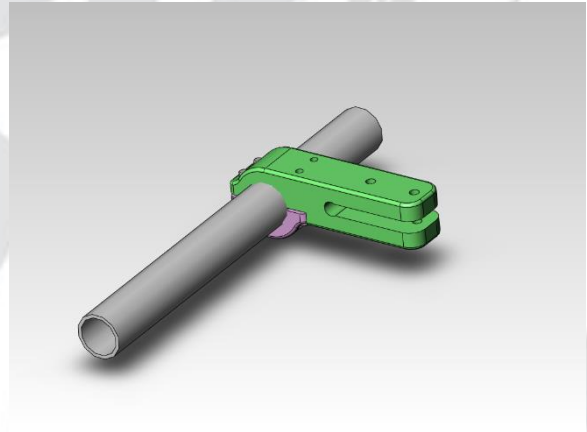
450 South Porter Road
Dixon, CA 95620

Assembly of the Modular Roll Bar Rack Mounting System

The Modular Roll Bar Rack Mounting System can be used to mount a multitude of different accessories and parts to. This system has been design to fit in a variety of different application to allow the use to tailor it's use to perfectly fit your needs.

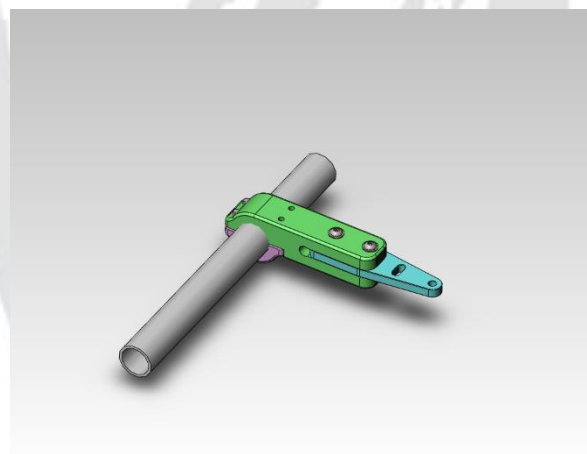
Step 1. Mount the Roll Bar Clamps

Mount the Roll Bar Clamps onto the roll bars using the supplied 3/8" socket head cap screws. There are two different cap screws for this. On some vehicles extra clearance was needed between the hardware and the doors when they were closed, therefore low profile heads have been supplied. Tighten the hardware just tight enough to secure the roll bar camp in position but loose enough to be able to rotate the roll bar clamp for alignment later as needed.



Step 2. Insert the Pivot Plates

Insert the pivot plates into the roll bar clamps. Use two 3/8" x 2 3/4" bolts to secure the plates. Don't worry about fully tightening the bolts at this time.

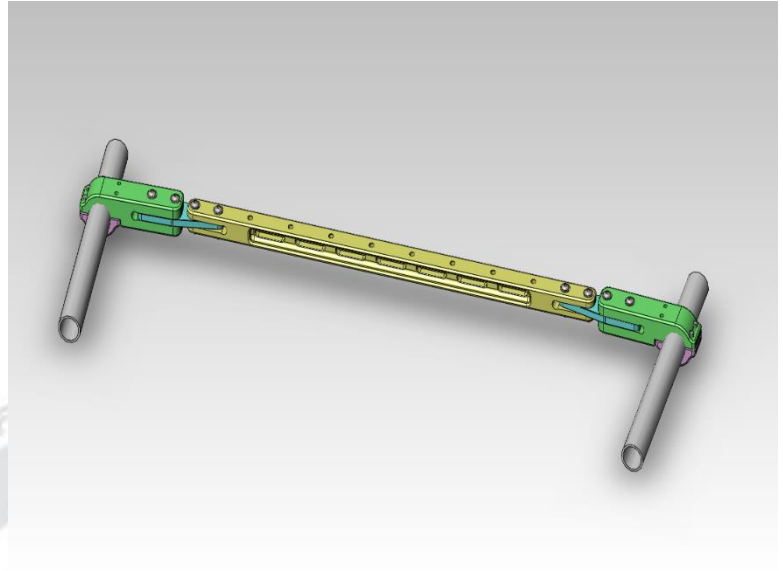




450 South Porter Road
Dixon, CA 95620

Step 3. Insert Cross Bar.

Rotate the roll bar clamps and pivot plates as necessary for the pivot plates to slid into the slots on the cross bar. Use the 3/8" x 2 1/4" bolts to secure the cross bar onto the pivot plates.



Step 4. Final Alignment.

At this time it is good to loosen all of the hardware so that final adjustments can be made to the assembly. Align both of the roll bar clamps evenly along the roll bar as necessary, and align the cross bar evenly between the roll bar clamps. Snug the roll bar clamps down and fully tighten the hardware that secures the cross bar. You can also fully tighten the hardware that secures the pivot plates. Loosen the roll bar clamp bolts individually and apply a small patch of thread locker to the threads and re-insert the screw into the roll bar clamp. Repeat this for all of the roll bar clamp bolts. Now evenly tighten the bolts.

Step 5. Accessory Installation.

To finish the installation mount any accessory as required to the cross bar as you desire. It is always good practice to maintain this system by periodically checking the hardware and system components for looseness and or wear to make sure that everything stays safe and secure.